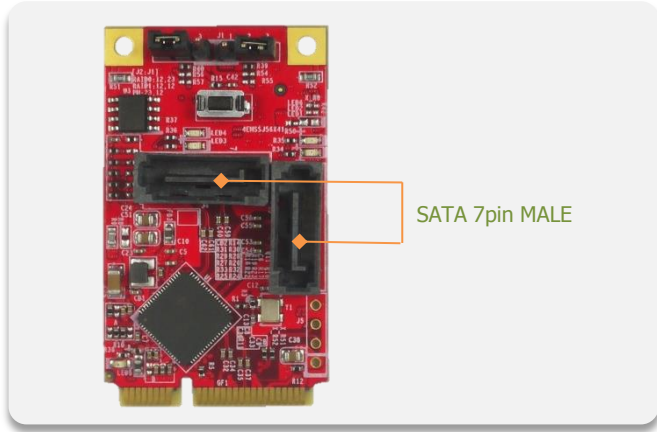


EMSS-32R1

mSATA to Dual SATA III RAID Module



SATA 7pin MALE

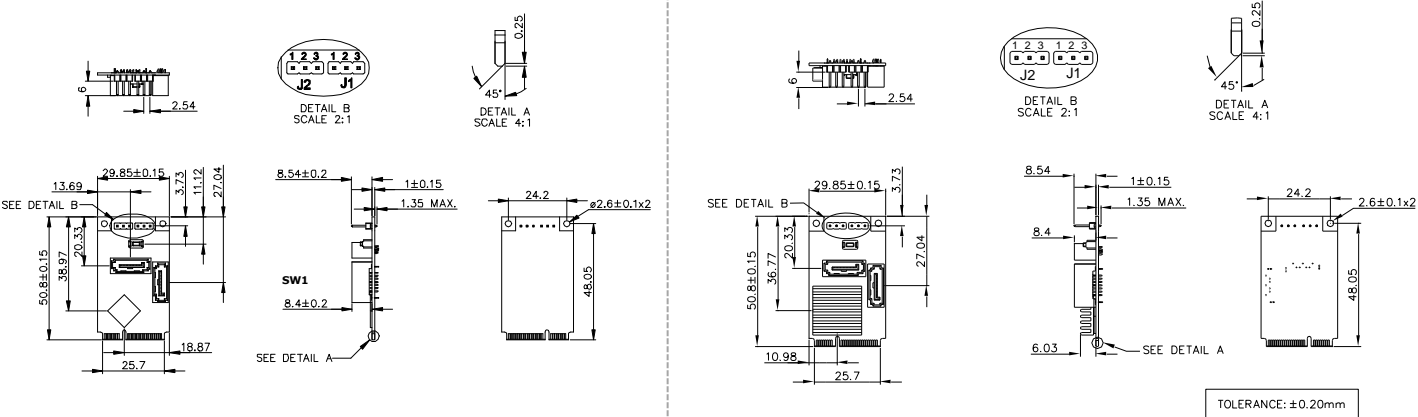
Features

- Supports mSATA to dual SATA III by Port Multiplier.
- Supports H/W RAID 0/1 over SATA.
- Optional Industrial Temperature (-40°C to +85°C) support.
- 30μ golden finger, 3 years warranty.
- Industrial design, manufactured in innodisk Taiwan

Mechanical Drawing

Standard Temp

Wide Temp



Specifications

Headquarters (Taiwan)
 5F., No. 237, Sec. 1, Datong Rd.,
 Xizhi Dist., New Taipei City 221,
 Taiwan
 Tel: +886-2-77033000
 Email: sales@innodisk.com

Branch Offices:
USA
usasales@innodisk.com
 +1-510-770-9421

Europe
eusales@innodisk.com
 +31-040-282-1818

Japan
jpsales@innodisk.com
 +81-3-6667-0161

China
sales_cn@innodisk.com
 +86-755-21673689

www.innodisk.com

© 2014 Innodisk Corporation.
 All right reserved. Specifications
 are subject to change without
 prior notice.

November 23, 2015

Form-Factor	mSATA
Input I/F	SATA III
Output I/F	SATA III
Output Connector	SATA 7pin x 2
TDP	1.65W (3.3V x 498mA)
Dimension (WxLxH)	29.85 x 50.8 x 10.8 mm, Weight: 7g
Temperature	Operation: STD: 0°C ~ +70°C WT: -40°C ~ +85°C Storage: -55°C ~ +95°C
Environment	Vibration: 5G @7~2000Hz, Shock: 50G @ 0.5ms
Notes	1. RAID Mode Setting: [J2:J1] RAID0: 12:23, RAID1: 12:12, PM: 23:12 2. Press tact switch SW1 for reset.

Order information

EMSS-32R1-C1 (Standard Temp.)
EMSS-32R1-W1 (Wide Temp.)
 mSATA to Dual SATA3 RAID Module